

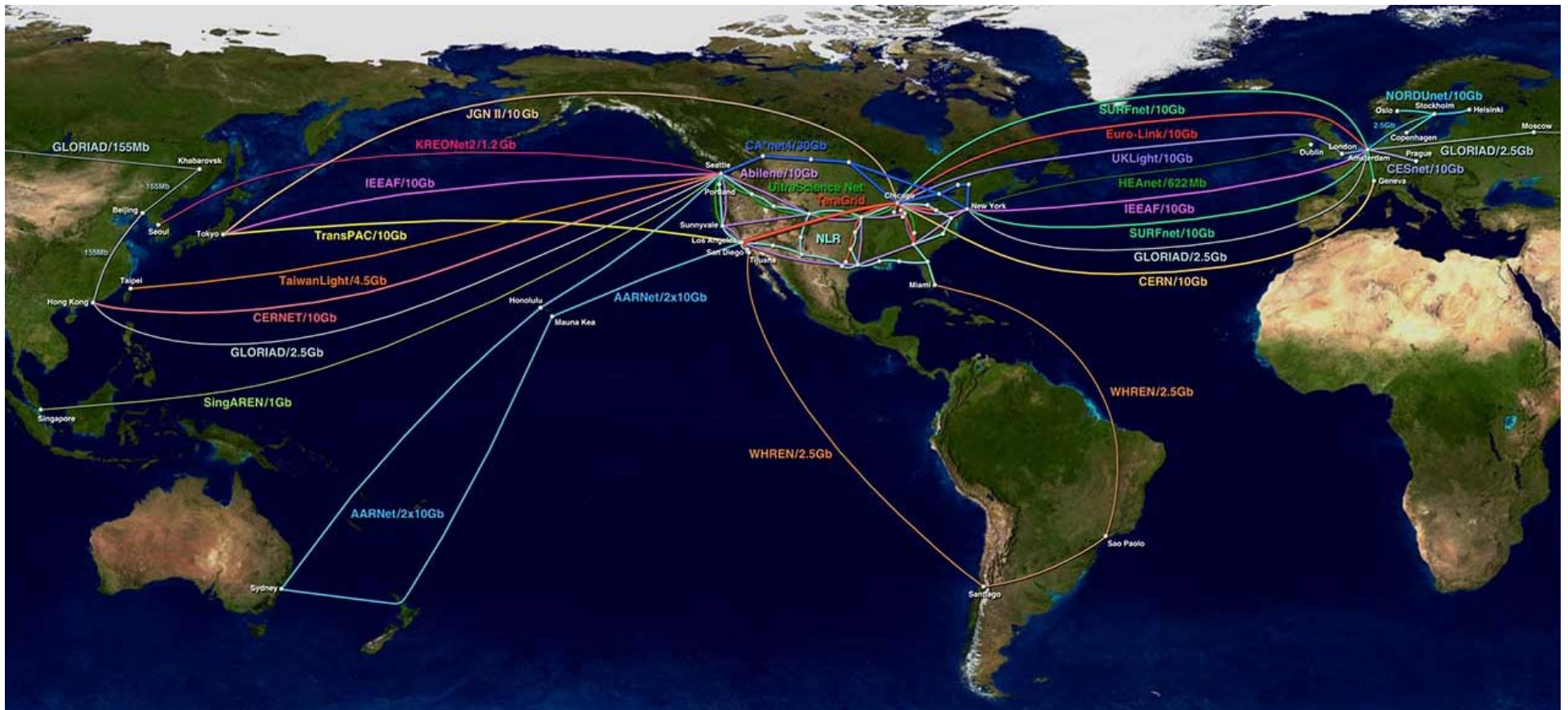


Pacific Wave
www.pacificwave.net

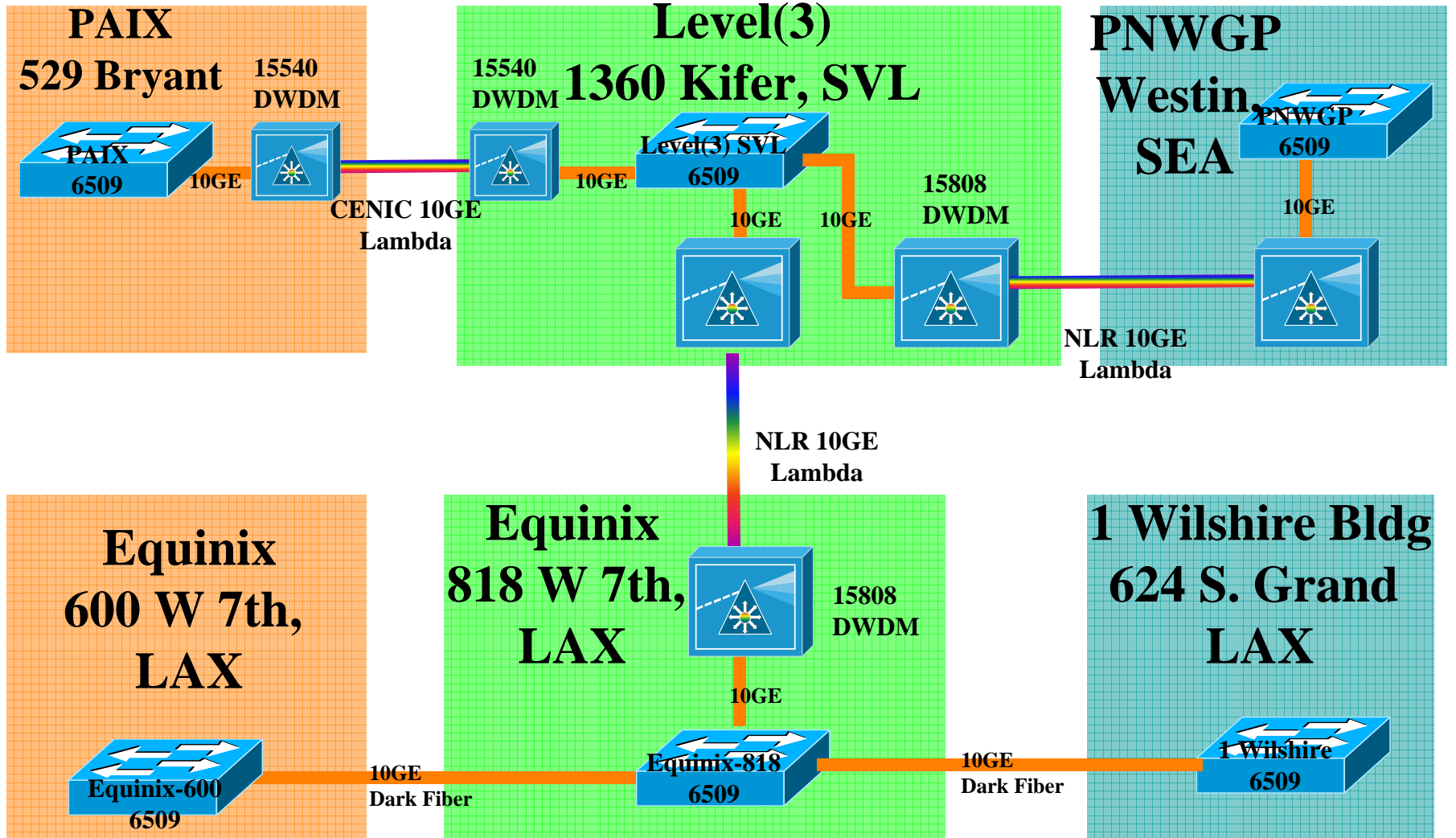
NANOG 34
Seattle, Washington
May 15-17, 2005

Global Lambda Integrated Facility World Map – 2005

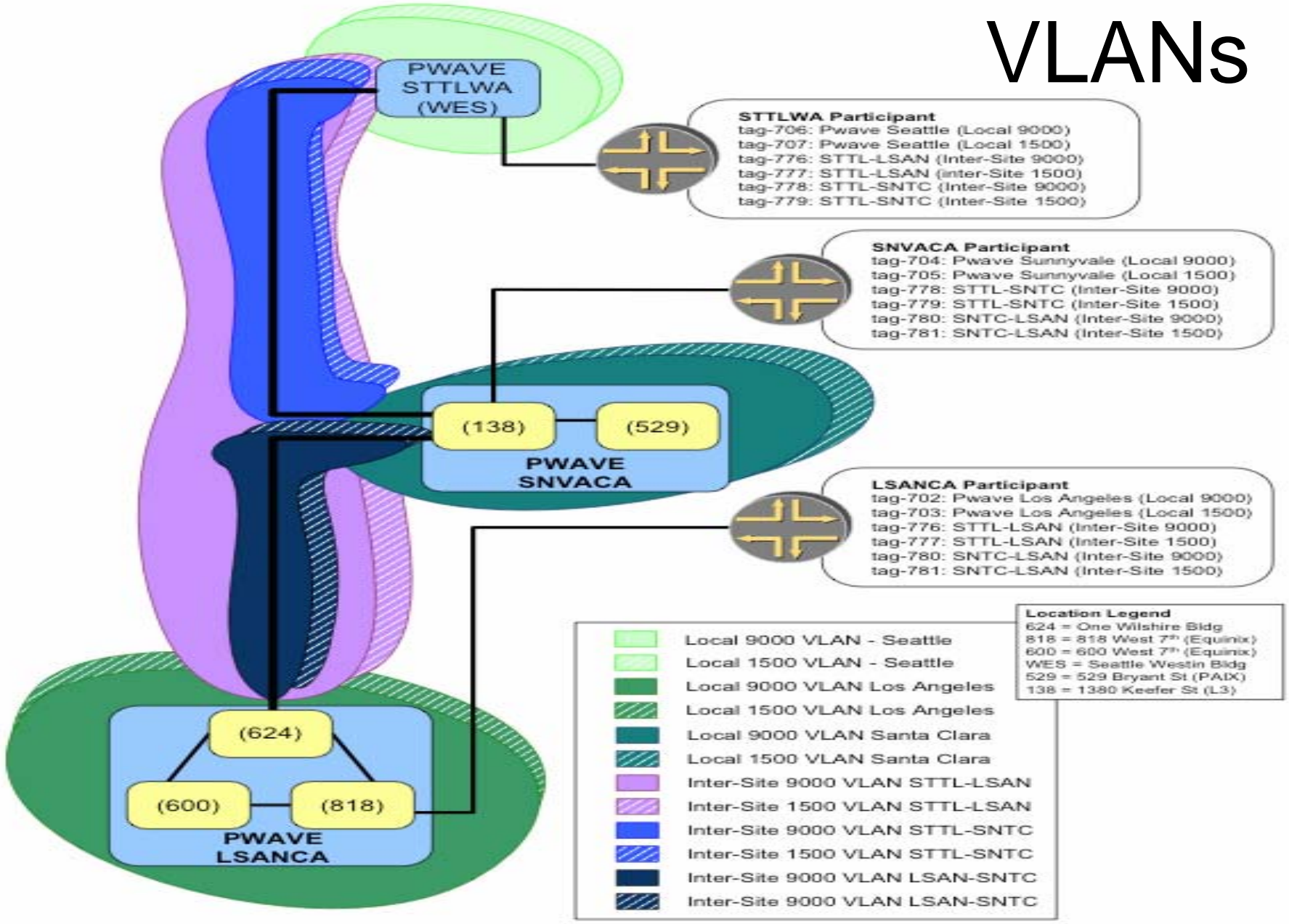
Predicted international Research & Education Network bandwidth, to be made available for scheduled application and middleware research experiments by 2005.



Pacific Wave



VLANs



Features, Activities, Plans

- Separate VLANs for standard and jumbo frame size.
- Multicast in same unicast VLAN via PIM snooping.
- IPv6 coexists in same VLANs as IPv4 traffic so that participants operate a conventional dual-stack interface to the exchange.
- Also providing Lambda services as part of National Lambda Rail (NLR) for projects such as CaveWave, Ultralight, etc.
- Next year connections from the Translight and WHREN projects.
- Working on flexible interconnects for layer 1 and optical and how they would/could be managed (or not).
- Measurement!



Contact Information

A Joint Project of the
Corporation for Education Network Initiatives in California ([CENIC](#))
and the Pacific Northwest Gigapop (PNWGP)
In collaboration with the University of Washington (UW) and the
University of Southern California (USC)

Web: www.pacificwave.net

Email: info@pacificwave.net

+ 1 206 PAC WAVE (1 206 722 9283)

+ 1 888 PAC WAVE (1 888 722 9283) Canada & US

Other sites:

Global Lambda Integrated Facility (GLIF) www.glif.is

National Lambda Rail (NLR) www.nlr.net

Internet Educational Equal Access Foundation www.ieeaf.org

Translight www.startup.net/translight

Western-Hemisphere Research and Education Networks (WHREN)